

**ADDENDUM NO. 2
FOR
PROGRAM C WELL EQUIPPING**

DATE: November 15, 2022

FROM: Wallace Group
612 Clarion Court
San Luis Obispo, CA 93401
Tel: (805) 544-4011

TO: Prospective Proposers

This addendum forms a part of the Request for Proposals (RFP) dated November 7, 2022, as noted herein. **Each Consultant shall acknowledge receipt of this Addendum as instructed below.**

The following changes or clarifications have been made to the RFP:

CHANGES TO PRIOR ADDENDA:

1. None

CHANGES TO RFP:

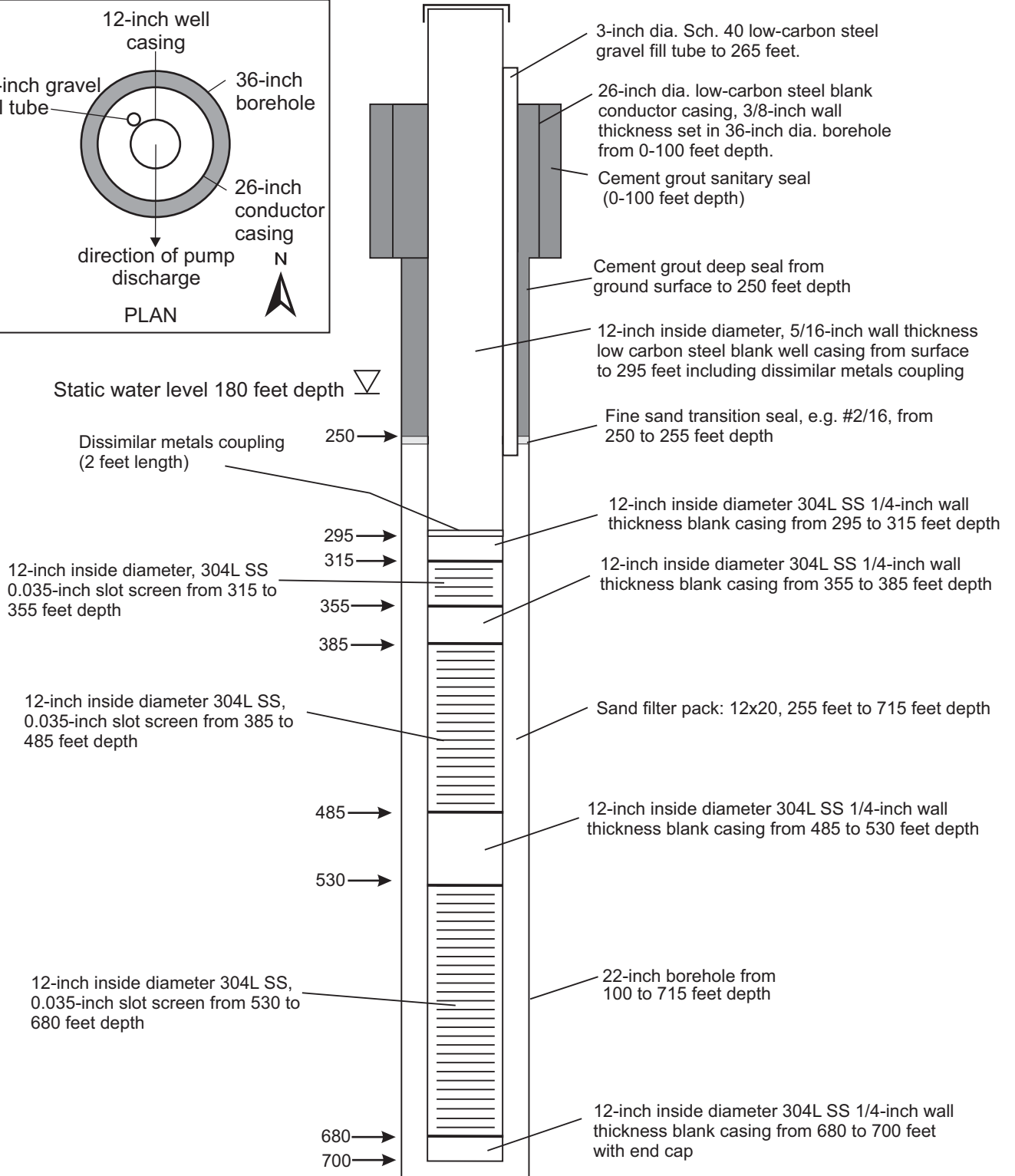
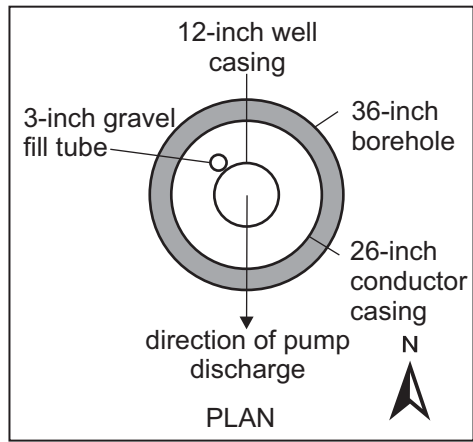
2. Well Construction Details. Attached is a draft well construction detail. This detail is not final at this time, but is not expected to change appreciably.
3. Front and back covers of proposal, tabs/dividers are excluded from page count. Contract exception comments are included in the page count.
4. 11x17 exhibits are allowable, and would be considered one page in the page count.
5. Requirement for hard copies of proposal remains. One hard copy of fees shall still be provided in a separate sealed envelope, as instructed.
6. Clarifications to Scope/Design Parameters:
 - a. District does not have architectural style requirements for well building; however, Consultant shall propose options for consideration by District as part of design process. District may favor a block wall style building over pre-fabricated structure as mentioned in the original RFP. The chemical storage area must be in a separate room and entrance to this building.
 - b. Well Site Conceptual Plan. This Plan in the RFP shows a chain link fence between the new well building and the drainage basin. This fence is not required. New chain link fencing will be required along the east and south perimeter of the site; the southerly fencing shall extend west past the access driveway to the site to the west.
 - c. Standby Power. Provide provision for portable generator on site, see first bulleted item on Page 7 of the RFP.
 - d. Well Sounding. Design shall include provision for 1-1/2" PVC sounding tube and transducer to read water levels in the well; extend wiring to control panel (data transmission via SCADA to be provided by District).

Please acknowledge receipt of this Addendum No. 2 by signing where indicated below, and emailing a PDF copy of this signed addendum to stevent@wallacegroup.us.

Company Name

Date

END OF ADDENDUM



DRAFT

Construction Diagram
Los Osos CSD
Program C (Bay Oaks) Well

Cleath-Harris Geologists